

Since 1968

COMMAX
SmartHome & Security

User Manual

Door Camera DRC-4CPNK



<https://aros.kz>

COMMAX Co.,Ltd.



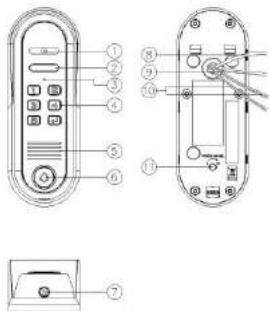
- Thank you for purchasing COMMAX products.
- Please carefully read this User's Guide (in particular, precautions for safety) before using a product and follow instructions to use a product exactly.
- The company is not responsible for any safety accidents caused by abnormal operation of the product.



1. The names of Each Part

Front side

Back side



- | | |
|---------------|----------------------|
| ① Camera | ⑥ Call Button |
| ② LED Lamp | ⑦ Mounting Holes |
| ③ Microphone | ⑧ Monitor cable |
| ④ Key buttons | ⑨ DC power cable |
| ⑤ Speaker | ⑩ Door release cable |
| | ⑪ Volume control |

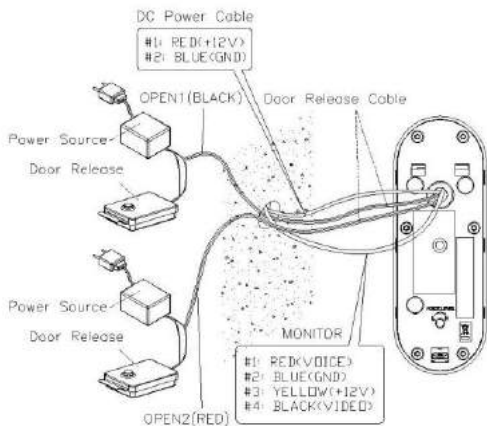


2. Package





3. Wiring & Installation



[FIG-3]

1. Align holes on the wall where the unit is to be installed with mounting brackets hole and secure.

FIG-1 : Install the camera at a 30angle to the left (install the bracket in reverse to angle 30to the right)

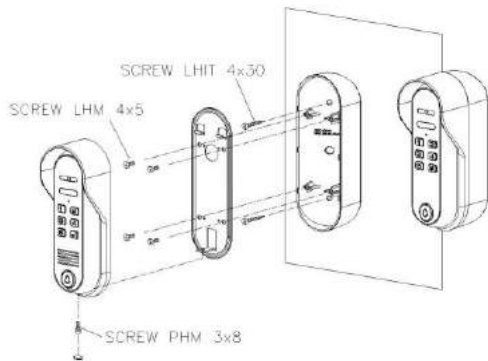
FIG-2 : Install the camera at a perpendicular angle to the front

2. Wire the household monitor cables as shown below with matched polarity as picture below[FIG-3]

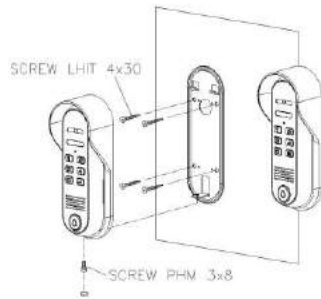
(#1:RED/VOICE, #2:BLUE/GND, #3:YELLOW/DC12V, #4:BLACK/VIDEO)

3. Wire the door release cable as shown in the diagram.[FIG-3]

4. Tighten using bolts and a wrench, then cover using the AL. screw covers.

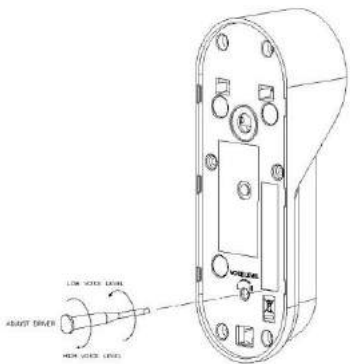


[FIG-1]



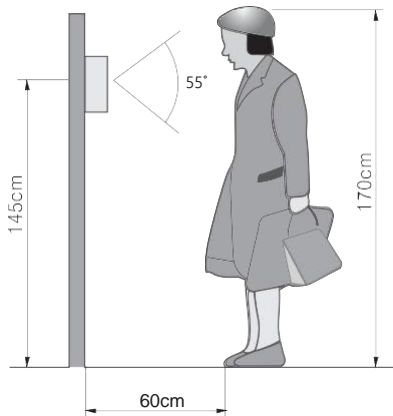
[FIG-2]

- You can adjust speaker volume using driver as shown below. [FIG-4]



[FIG-4]

- Please refer to the below images regarding the installation position of the product.





4. Specification

specification	Model	DRC-4CPNK
Image Sensor		CMOS 1/3"
Sensor Resolution		0.52 megapixel
Power source		12V $\overline{\text{---}}$ (Supplied from the Monitor) 12V --- 0.5A (Adaptor)
Power consumption		Standby : 1W , Max : 4.2W
Wiring(household)		Monitor 4Wires(polarity), Adaptor 2Wires(Polarity)
Call mode		Duplex
Camera angle		Horizontal angle 48.6° Vertical angle 37.5°
Format		NTSC or PAL STANDARD
Horizontal / vertical Frequency		15.734 kHz / 60 Hz or 15.625 kHz / 50 Hz
Lamp		Built-in white LED (automatically turns on in night)
Low illumination		0.1 LUX (Up to 300mm in front of the camera)
Workable temperature		-10 °C (tested up to -40 °C) +50 °C
Dimension(mm)		59(W) x 164(H) x 42.1(D)
Weight(g)		445g (B/K included)
Warranty Period		1 year
Environment Condition	Storage Temperature	-40 °C to 50 °C
	Storage Humidity	Less than 90 %
Product Life-Cycle		10 years



5. How to open the door using keypad button

* Note: If you press 'Call button' during operation, you can cancel the current operation.

1. How to set the door open password

1-1 If you know the current password

- (1) Press 'M' button for more than 2 seconds: The beep sound is heard and LED light is on.
- (2) Enter current password (Initial value: '1234')
- (3) Press 'M' button for more than 2 seconds
- ☞ Enter password setting mode : LED light to start blinking and new password can be set.
- (4) Enter new password: Enter the new password to use. (4 to 12 digits)
- (5) Press 'M' button for more than 2 seconds: After beep sound, password has been changed.

1-2 If you forget your current password (It can be used when connected household monitor)

- (1) Repeat pushing door open button on household monitor more than 7 times quickly.
(in less than 20 seconds)
- ☞ Enter password setting mode : LED light to start blinking and new password can be set.
(Caution: To prevent malfunction, please do not repeat pushing door open button normally.)
- (2) Enter new password: Enter the new password to use. (4 to 12 digits)
- (3) Press 'M' button for more than 2 seconds: After beep sound, password has been changed.

* Cautions *

- Please set the password after installation. (Initial password can not be used.)
(For security reasons, 1234 and 4321 can not be set as the password.)
- If you enter wrong password, the setting mode is ended with a failure sound. (toot-toot)
- The setting mode is ended when there is no password input on household monitor for 1 minute after entering the password input mode.
- The setting mode is ended when there is no additional input for 20 seconds during input.
(Even if you press 'M' button during password setting, it can not be saved and only the number is recognized and saved.)

2. How to open door using password

2-1. Lock 1 open : '1' + 'M' + Password + 'M'

☞ Exit the mode after opening the 1st door lock with the door opening sound. (Tu-ru-ru)

2-2. Lock 2 open : '2' + 'M' + Password + 'M'

☞ Exit the mode after opening the 2nd door lock with the door opening sound. (Tu-ru-ru)

* Cautions *

- If the door open button of household monitor is pushed when using password, the operation is canceled.
- If the power of the camera is cut off due to black-out or other reasons, the door will not open. Please prepare a separate emergency key in case of emergency.