



TS 77

—

<https://aros.kz>

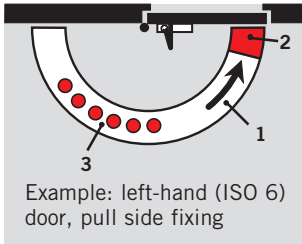


Door Closer

THE BUDGET DOOR CLOSER FOR STANDARD DOORS

- The economical solution for standard doors.
- Non-handed, suitable for standard, parallel arm and frame installation.
- Fully controlled closing cycle.
- Backcheck version available for door and wall protection.

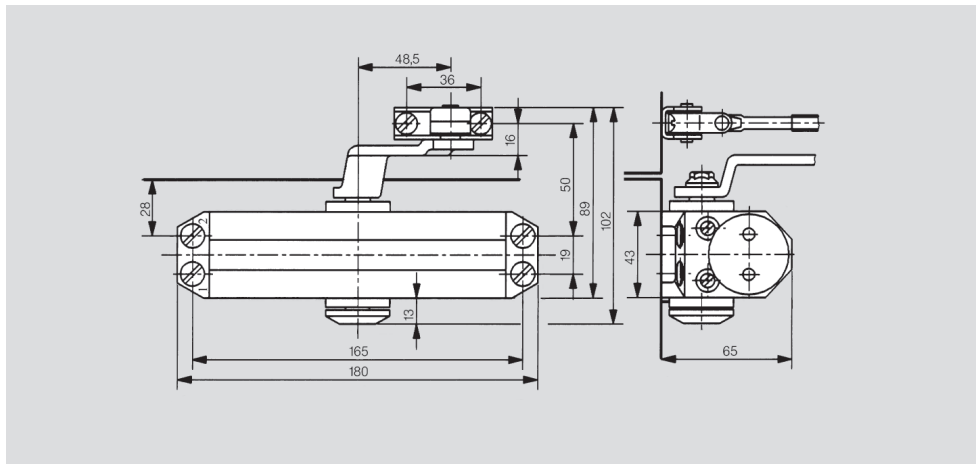
Functions



- 1 Fully controlled closing with adjustable speed between 180° - 20°
- 2 Adjustable latching action between 20° and 0°
- 3 Hold-open range if equipped with hold-open arm (optional extra)

Data and features		TS 77		
		EN 2	EN 3	EN 4
Closing force	Size			
	Standard doors	850 mm	●	-
		950 mm	-	●
	≤ 1100 mm	-	-	●
External doors, opening outwards		-	-	-
Non-handed		●	●	●
Arm type standard scissor arm		●	●	●
Closing force variable at adjustment screw		-	-	-
Closing speed variable by valve adjustment		●	●	●
Backcheck		○	○	○
Delayed action		-	-	-
Hold-open		○	○	○
Weight in kg		1.7	1.7	1.7
Dimensions in mm		Length	180	
		Overall depth	65	
		Height	43	

● Yes - no ○ Option



Specification text

Rack-and-pinion door closer with hydraulically fully controlled closing cycle, non-handed.

Model:

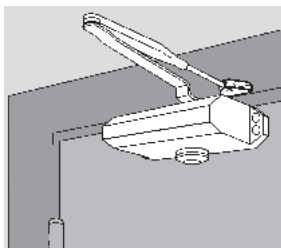
- Size 2
- Size 3
- Size 4
- With hold-open arm

Accessories: _____

Closer Colour:

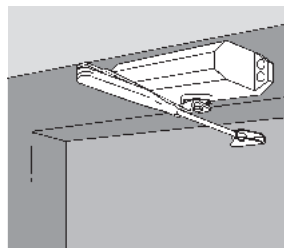
- silver

Make: DORMA TS 77



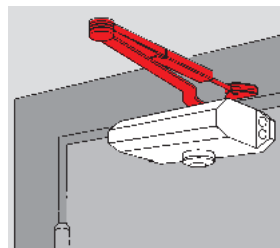
ON THE PULL SIDE

Door leaf fixing (standard)



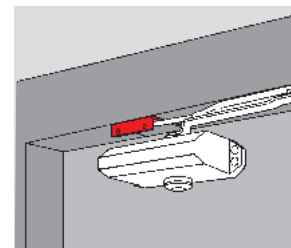
ON THE PUSH SIDE

Transom fixing (overhead installation)



WITH HOLD-OPEN ARM ASSEMBLY

for temporary door hold-open (optional extra)



PARALLEL ARM

for parallel arm assembly (for installation dimensions, see fixing instructions)

