

Instructions and warnings for the fitter  
Istruzioni ed avvertenze per l'installatore  
Instructions et recommandations pour l'installateur  
Instrucciones y advertencias para el instalador  
Anweisungen und Hinweise für den installateur  
Instrukcje i ostrzeżenia dla instalatora  
Aanwijzingen en aanbevelingen bestemd voor de installateur

# PW1

Heating unit

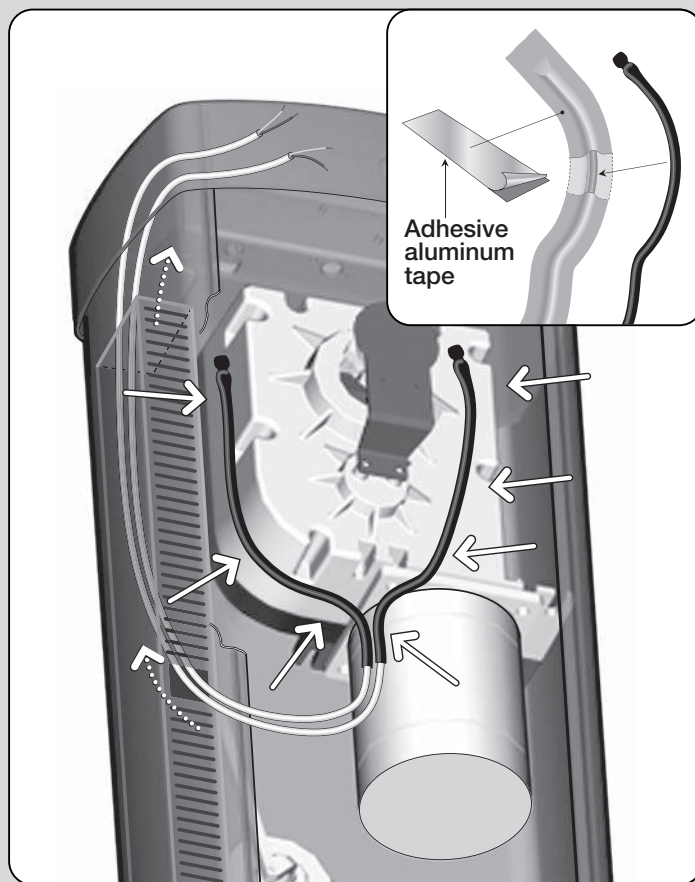
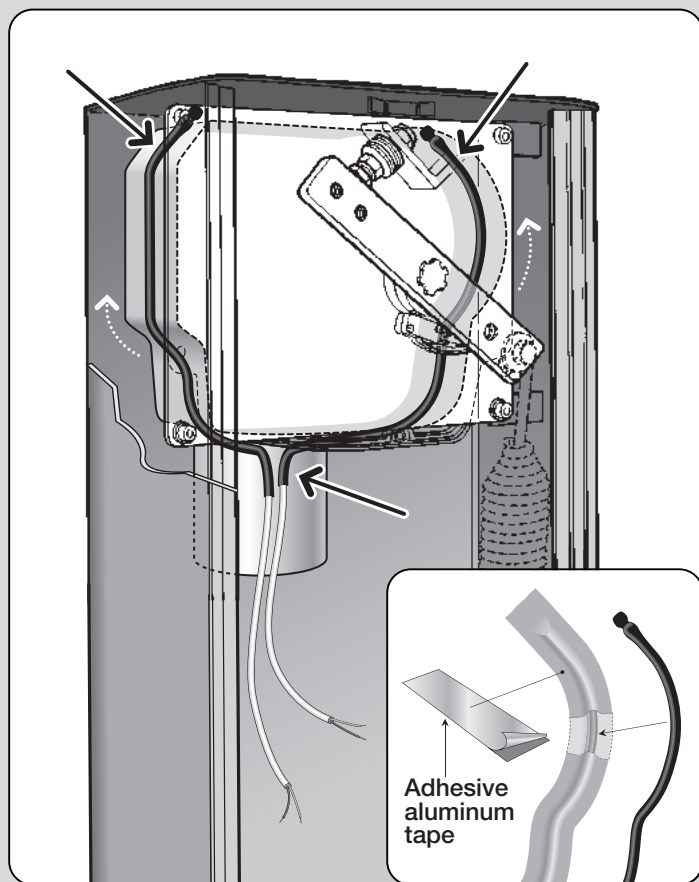
CE

COMPANY  
WITH QUALITY SYSTEM  
CERTIFIED BY DNV  
=ISO 9001/2000=

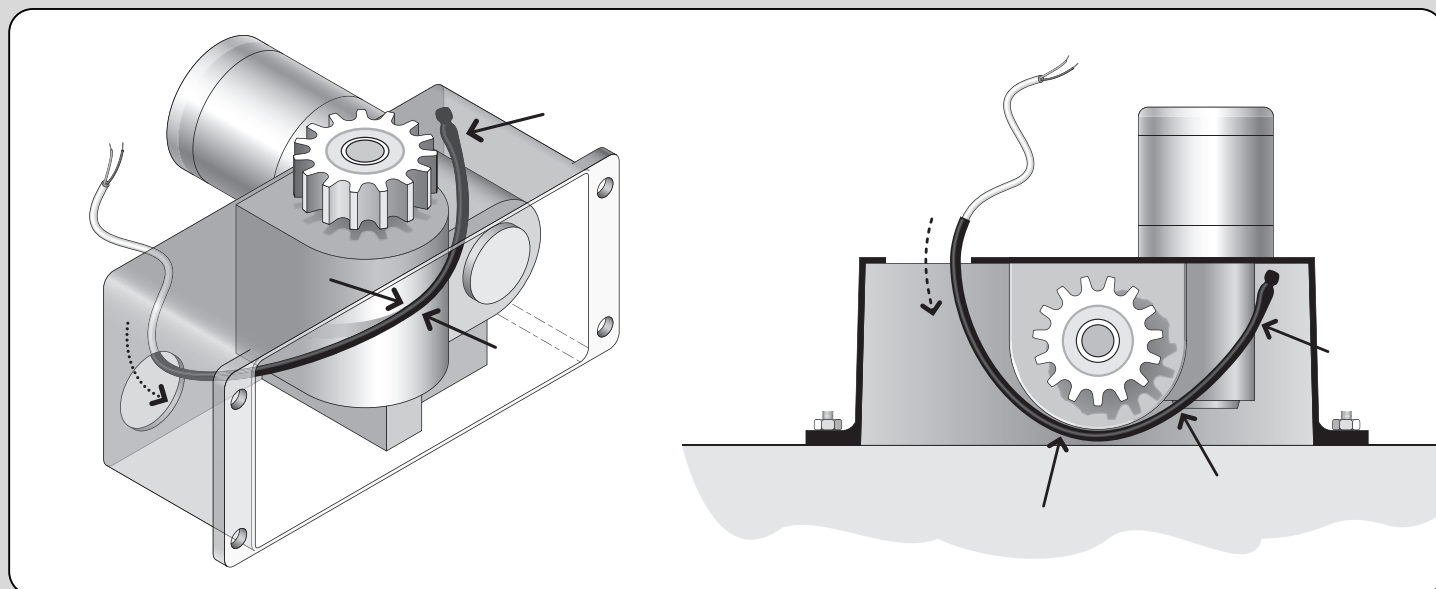
Nice



**INSTALLATION** - Can be used on all the **WIL** and **SIGNO** models.



**INSTALLATION** - Can be used on all the **ROBO**, **THOR** and **ROBUS** models.



## TECHNICAL CHARACTERISTICS

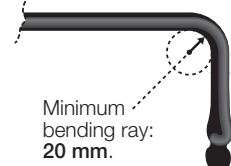
- **Rated voltage:** 230V
- **Nominal power:** 20W
- **Protection class:** IP 67
- **Dimensions (L, Ø):** 440 x 7 mm
- **Cable for electrical connection (L):** 950 mm

**NOTES:** • All the technical characteristics refer to a room temperature of 20°C (± 5°C). • Nice S.p.a. reserves the right to modify their products any time they deem necessary, guaranteeing their functionality and fitness for the intended purposes.

## SAFETY MEASURES AND WARNINGS

### ATTENTION!

- High temperature and risk of electrical shock; to install and use only inside indicated gearmotor.
- Use only join at TW1 thermostat.
- Not fold the unity heating with bending ray less than 20 mm.



## DISPOSAL



## DICHIARAZIONE CE DI CONFORMITÀ DECLARATION OF CONFORMITY

**NOTE:** • Il contenuto di questa dichiarazione corrisponde a quello dell'ultima revisione disponibile, - prima della stampa del presente manuale, - del documento ufficiale depositato presso la sede di Nice S.p.a. In questo manuale, il testo originale è stato riadattato per motivi editoriali. • La presente dichiarazione è valida solo per i modelli citati.

**NOTES:** • The content of the present declaration corresponds to the latest available revision, - before the printing of the present manual, - of the document registered at the head offices of Nice S.p.a. The original text of this manual has been readapted for publishing reasons. • The present declaration is valid for the said models only.

Numero: **237/TW1**; Revisione: **0**  
Number: **237/TW1**; Revision: **0**

Il sottoscritto Lauro Buoro in qualità di Amministratore Delegato, dichiara sotto la propria responsabilità che il prodotto:  
*The undersigned Lauro Buoro, managing director, declares under his sole responsibility that the following product:*

Nome produttore: **NICE s.p.a.**  
*Manufacturer's name: NICE s.p.a.*

Indirizzo: **Via Pezza Alta 13, Z.I. Rustignè, 31046 Oderzo (TV) Italia**  
*Address: Via Pezza Alta 13, Z.I. Rustignè, 31046 Oderzo (TV) Italy*

Tipo: **Termostato per unità riscaldanti TW1; abbinato a unità riscaldanti PW1**  
*Type: Thermostat for heating unit TW1; join at heating unit PW1*

Modello: **TW1** - Accessori: **PW1**  
*Models: TW1 - Accessories: PW1*

Risulta conforme a quanto previsto dalle seguenti direttive comunitarie, così come modificate dalla Direttiva 93/68/CEE del consiglio del 22 Luglio 1993:  
*Satisfies the essential requirements of the following Directives, as amended by the directive 93/68/EEC of the European Council of 22 July 1993:*

- 89/336/CEE DIRETTIVA 89/336/CEE DEL CONSIGLIO del 3 maggio 1989, per il riavvicinamento delle legislazioni degli Stati membri relative alla compatibilità elettromagnetica.
- 89/336/EEC DIRECTIVE 89/336/EEC OF THE COUNCIL of May 3, 1989, for the harmonisation of the legislations of member States regarding electromagnetic compatibility.

According to the following norms harmonized: EN 61000-6-2; EN 61000-6-3

- 73/23/CEE DIRETTIVA 73/23/CEE DEL CONSIGLIO del 19 febbraio 1973 concernente il riavvicinamento delle legislazioni degli Stati membri relative al materiale elettrico destinato ad essere adoperato entro taluni limiti di tensione.
- 73/23/EEC DIRECTIVE 73/23/EEC OF THE COUNCIL of February 19, 1973 for the harmonisation of the legislations of member States regarding electrical equipment designed to be used within certain voltage limits.

According to the following harmonized norm: EN 60335-1

Oderzo, 25 Novembre 2005  
Oderzo, 25<sup>th</sup> November 2005

  
**Lauro Buoro**  
(Amministratore delegato)  
(Managing director)



### Headquarter

 **Nice SpA**  
Oderzo TV Italia  
Tel. +39.0422.85.38.38  
Fax +39.0422.85.35.85  
info@niceforyou.com

### Nice in Italy

 **Nice Padova**  
Sarmeola di Rubano PD  
Italia  
Tel. +39.049.89.78.93.2  
Fax +39.049.89.73.85.2  
infopd@niceforyou.com

 **Nice Roma**  
Roma Italia  
Tel. +39.06.72.67.17.61  
Fax +39.06.72.67.55.20  
inforoma@niceforyou.com

### Nice in the World


 **Nice France**  
Buchelay  
Tel. +33.(0)1.30.33.95.95  
Fax +33.(0)1.30.33.95.96  
info@fr.niceforyou.com

 **Nice Rhône-Alpes**  
Decines Charpieu France  
Tel. +33.(0)4.78.26.56.53  
Fax +33.(0)4.78.26.57.53  
infolyon@fr.niceforyou.com

 **Nice France Sud**  
Aubagne France  
Tel. +33.(0)4.42.62.42.52  
Fax +33.(0)4.42.62.42.50  
infomarseille@fr.niceforyou.com

 **Nice España Madrid**  
Tel. +34.9.16.16.33.00  
Fax +34.9.16.16.30.10  
info@es.niceforyou.com

 **Nice España Barcelona**  
Tel. +34.9.35.88.34.32  
Fax +34.9.35.88.42.49  
info@es.niceforyou.com

 **Nice Polska**  
Pruszków  
Tel. +48.22.728.33.22  
Fax +48.22.728.25.10  
info@pl.niceforyou.com

 **Nice Belgium**  
Leuven (Heverlee)  
Tel. +32.(0)16.38.69.00  
Fax +32.(0)16.38.69.01  
info@be.niceforyou.com

 **Nice UK**  
Chesterfield  
Tel. +44.87.07.55.30.10  
Fax +44.87.07.55.30.11  
info@uk.niceforyou.com


 **Nice Romania**  
Cluj Napoca  
Tel/Fax +40.264.45.31.27  
info@ro.niceforyou.com

 **Nice Deutschland**  
Gelnhausen-Hailer  
Tel. +49.60.51.91.52-0  
Fax +49.60.51.91.52-119  
info@de.niceforyou.com

 **Nice China**  
Shanghai  
Tel. +86.21.575.701.46  
+86.21.575.701.45  
Fax +86.21.575.701.44  
info@cn.niceforyou.com

COMPANY  
WITH QUALITY SYSTEM  
CERTIFIED BY DNV  
=ISO 9001/2000=

 **Nice Gate** is the doors and gate automation division of Nice

 **Nice Screen** is the rolling shutters and awnings automation division of Nice

<https://aros.kz>